



COMBIARRIAL DO

ACCESSORI
CANCELLI
BATTENTI
Swing
Gates
Accessories

PERFECTION
perfezione

COMBIARRIAL DO 111

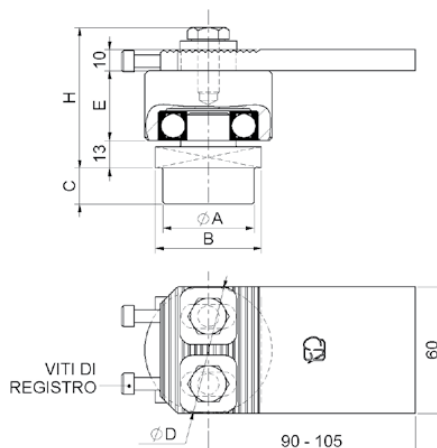


CATALOGO GENERALE 2017/18
General Catalogue 2017/18

ACCESSORI CANCELLI BATTENTI
Swing Gates Accessories

art. 343

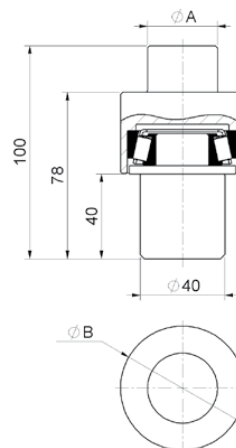
Cardine con cuscinetto regolabile
Adjustable hinge with bearing
петля регулируемая с подшипником



cod.	mm.	pz/pcs	ØA	B	C	ØD	E	H	viti TE
343.40	tub. 40	4	Ø33	40x40	17	Ø60	33	66,5	M10
343.50	tub. 50	4	Ø43	50x50	17	Ø60	33	66,5	M10
343.60	tub. 60	4	Ø53	60x60	19	Ø68	35	68,5	M10

art. 344

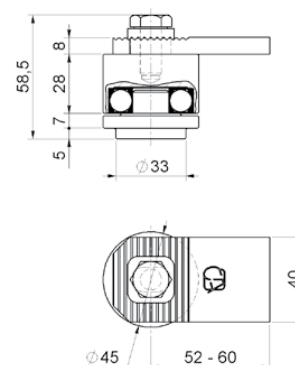
Maxi perno
Bottom maxi pin
петля опорная, нижняя, большая



cod.	mm.	pz/pcs	ØA	ØB
344.40	tub. 40	4	Ø33	Ø59
344.50	tub. 50	4	Ø43	Ø59
344.60	tub. 60	4	Ø53	Ø64

art. 345 P

Cardine con cuscinetto regolabile piccolo
Small adjustable hinge w/bearing
петля регулируемая с подшипником, малая

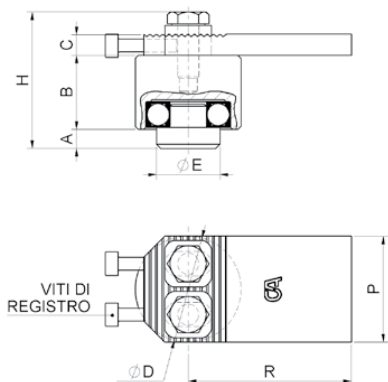


cod.	mm.	pz/pcs	viti TE
345.P	PICCOLO	4	M10



ACCESSORI CANCELLI BATTENTI
Swing Gates Accessories

art. **345 R**

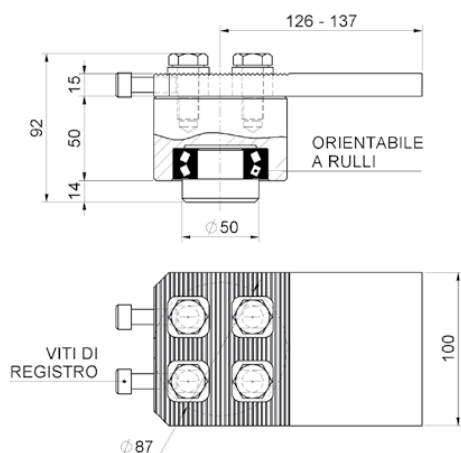


Cardine con cuscinetto regolabile medio con viti di registro
Medium adjustable hinge w/screws w/bearing
петля регулируемая с подшипником, средняя

Versione INOX/Stainless steel art.345RIX pag. 205



cod.	mm.	pz/pcs	A	B	C	ØD	ØE	H	R	P	viti TE	viti reg.
345R.M	MEDIO	4	9	35	10	Ø50	Ø30	64	72 - 82	50	M10	M6
345R.G	GRANDE	4	10	35	10	Ø68	Ø35	65	90 - 105	60	M10	M6



art. **345R MAXI**

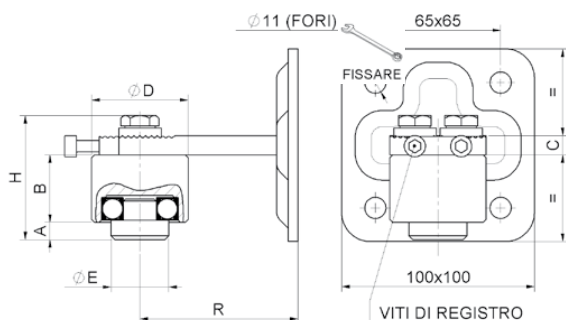
Cardine con cuscinetto regolabile Maxi con viti di registro
Maxi adjustable hinge w/screws w/bearing
петля регулируемая с подшипником, большая



cod.	mm.	pz/pcs	viti TE	viti reg.
345R.MAXI	MAXI	4	M14	M10

art. **345 RPST**

Cardine con cuscinetto regolabile medio con viti di registro e piastra
Medium adjustable hinge w/plate w/screws w/bearing
петля регулируемая с подшипником, большая



cod.	mm.	pz/pcs	A	B	C	ØD	ØE	H	R	viti TE	viti reg.
345R.MPST	MEDIO	4	9	35	10	Ø50	Ø30	65	77 - 87	M10	M6
345R.GPST	GRANDE	4	10	35	10	Ø68	Ø35	65	95 - 110	M10	M6

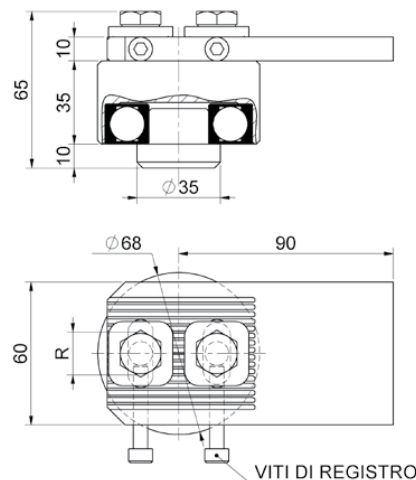


CATALOGO GENERALE 2017/18
General Catalogue 2017/18

ACCESSORI CANCELLI BATTENTI
Swing Gates Accessories

art. **345 RGL**

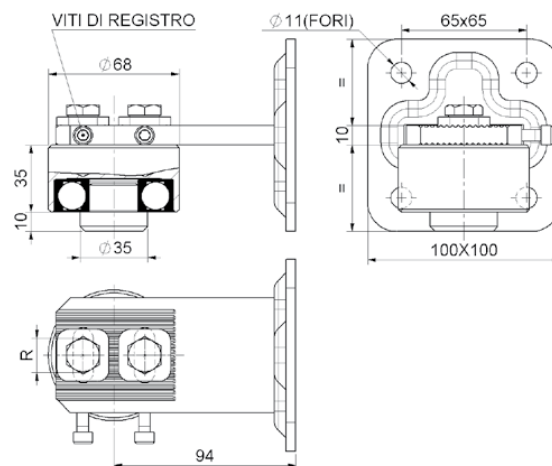
Cardine con cuscinetto regolabile grande con viti di registro ed attacco laterale
Large adjustable side hinge with screws - with bearing
петля верхняя большая регулируемая боковая



cod.	mm.	pz/pcs	R	viti reg.	viti TE
345R.GL	GRANDE	4	± 7	M6	M10

art. **345 RGLPST**

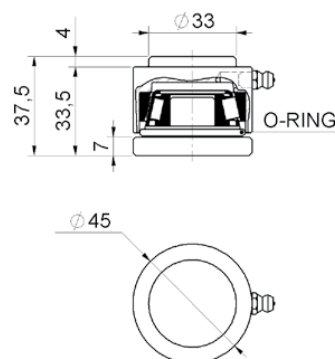
Cardine con cuscinetto regolabile con viti di registro ed attacco laterale con piastra
Large adjustable side hinge with plate, with screws, with bearing
петля верхняя большая регулируемая боковая с планкой



cod.	mm.	pz/pcs	R	viti TE	viti reg.
345R.GLPST	GRANDE	4	± 7	M10	M6

art. **346 P**

Piastra girevole c/cuscinetto c/ingrassatore
Small bottom plate w/thrust bearing w/grease cup
петля опорная, с опорным подшипником и пресс-маслёнкой, малая

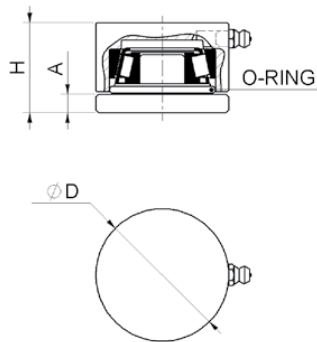


cod.	mm.	pz/pcs
346.P	PICCOLA	4



ACCESSORI CANCELLI BATTENTI
Swing Gates Accessories

art. **346**



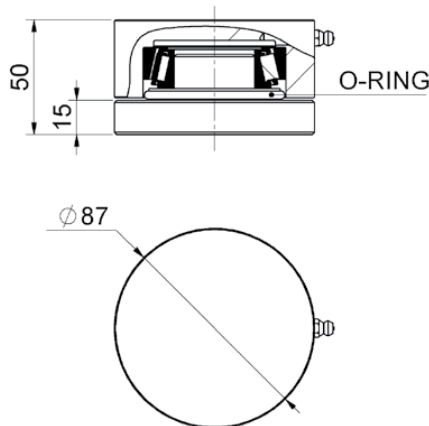
Piastra girevole c/cuscinetto c/ingrassatore
Medium bottom plate w/thrust bearing w/grease cup
петля опорная, с опорным подшипником и пресс-маслёнкой, средняя

Versione INOX/Stainless steel art.346IX pag. 206



cod.	mm.	pz/pcs	A	ØD	H
346.M	MEDIA	4	7	Ø50	34
346.G	GRANDE	4	8	Ø68	40

art. **346 MAXI**



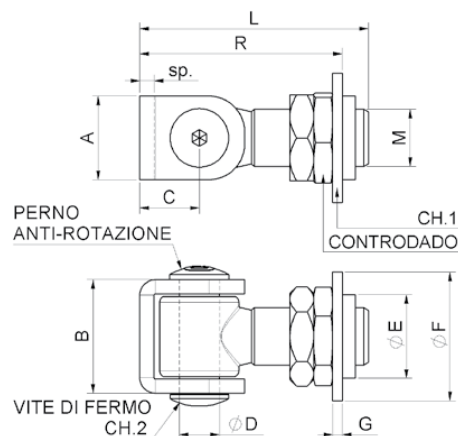
Piastra girevole Maxi c/cuscinetto c/ingrassatore
Maxi bottom plate w/thrust bearing w/grease cup
петля опорная, с опорным подшипником и пресс-маслёнкой, большая



cod.	mm.	pz/pcs
346.MAXI	MAXI	4

CATALOGO GENERALE 2017/18
General Catalogue 2017/18ACCESSORI CANCELLI BATTENTI
Swing Gates Accessories

art. 375

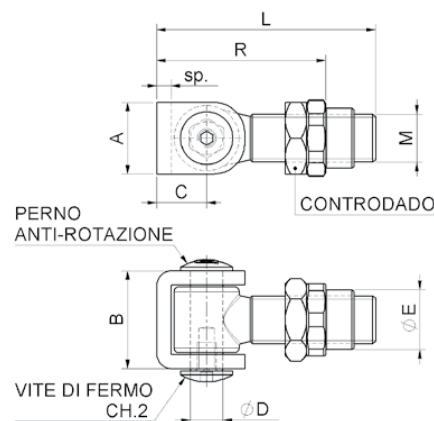
Cardine a cavallotto regolabile
con rondella e controdado
Adjustable u-bolt hinge
петля u-образная, регулируемая

cod.	mm.	pz/pcs	A	B	C	ØD	ØE	ØF	L	sp	G	M	R	CH.1	CH.2
375.16	M16	12	27	36	21	Ø12	Ø30	Ø46	84	5	4	M16	58-78	Es.30	Es.4
375.18	M18	12	30	41	21	Ø14	Ø30	Ø46	92	6	4	M18	61-86	Es.30	Es.5
375.20	M20	10	30	41	21	Ø14	Ø30	Ø46	92	6	4	M20	61-86	Es.30	Es.5
375.22	M22	6	35	48	25	Ø17	Ø35	Ø54	96	6	4	M22	69-90	Es.36	Es.6
375.24	M24	6	35	48	25	Ø17	Ø35	Ø54	106	6	4	M24	70-100	Es.36	Es.6
375.27	M27	6	35	48	25	Ø17	Ø45	Ø71	102	6	6	M27	74-96	Es.46	Es.6

art. 376

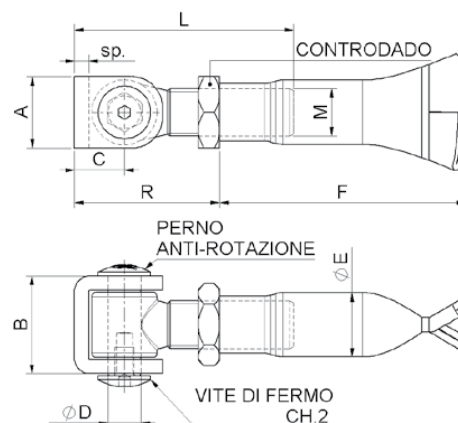
Cardine a cavallotto con
boccola e controdado
U-bolt hinge w/bush to be welded
петля u-образная, под сварку

Versione INOX/Stainless steel art.376IX pag. 206



cod.	mm.	pz/pcs	A	B	C	ØD	ØE	L	sp	M	R	CH.2
376.16	M16	12	27	36	21	Ø12	Ø21	84	5	M16	52-73	Es.4
376.18	M18	12	30	41	21	Ø14	Ø25	92	6	M18	57-79	Es.5
376.20	M20	10	30	41	21	Ø14	Ø25	92	6	M20	57-79	Es.5
376.22	M22	6	35	48	25	Ø17	Ø27	96	6	M22	64-80	Es.6
376.24	M24	6	35	47	25	Ø17	Ø30	106	6	M24	66-90	Es.6
376.27	M27	6	35	47	25	Ø17	Ø35	102	6	M27	67-87	Es.6

art. 377

Cardine a cavallotto con tubolare
a murare e controdado
U-bolt hinge for building into wall
петля u-образная, для
вмуровывания в стену

cod.	mm.	pz/pcs	A	B	C	ØD	ØE	F	L	sp	M	R	CH.2
377.16	M16	12	27	36	21	Ø12	Ø25	103	84	5	M16	46-63	Es.4
377.18	M18	12	30	41	21	Ø14	Ø25	103	92	6	M18	49-71	Es.5
377.20	M20	10	30	41	21	Ø14	Ø27	103	92	6	M20	49-71	Es.5
377.22	M22	6	35	48	25	Ø17	Ø30	118	96	6	M22	57-75	Es.6
377.24	M24	6	35	48	25	Ø17	Ø34	118	106	6	M24	58-85	Es.6
377.27	M27	6	35	48	25	Ø17	Ø34	118	102	6	M27	59-81	Es.6

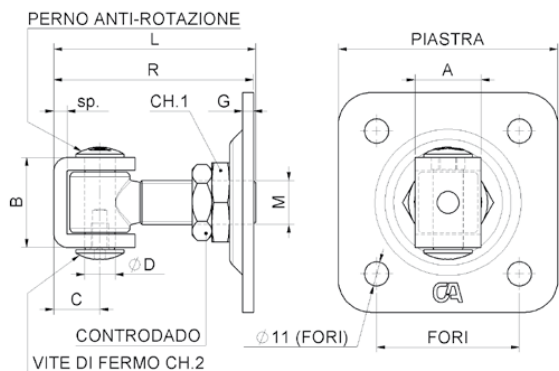


ACCESSORI CANCELLI BATTENTI
Swing Gates Accessories

art. 378

Cardine a cavalletto con piastra e controdado
Adjustable u-bolt hinge with plate
Петля U-образная, регулируемая, с пластиной

- FISSARE
- SALDARE
- REGOLABILE

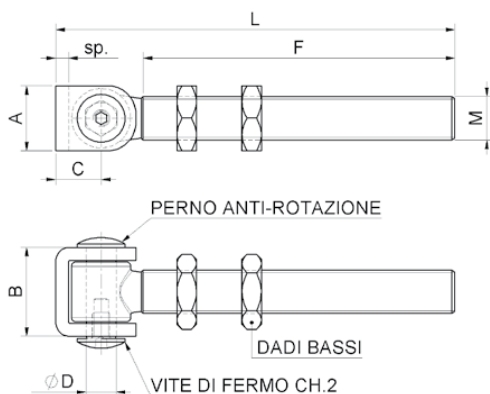


cod.	mm.	pz/pcs	A	B	C	ØD	G	L	sp	M	R	CH.1	CH.2	fori	piastra
378.16	M16	10	27	36	21	Ø12	5	84	5	M16	64-83	Es.36	Es.4	56x56	80x80
378.18	M18	10	30	41	21	Ø14	5	92	6	M18	68-91	Es.36	Es.5	56x56	80x80
378.20	M20	10	30	41	21	Ø14	5	92	6	M20	68-91	Es.36	Es.5	65x65	100x100
378.22	M22	8	35	48	25	Ø17	5	96	6	M22	76-95	Es.36	Es.6	65x65	100x100
378.24	M24	8	35	48	25	Ø17	5	106	6	M24	77-105	Es.36	Es.6	65x65	100x100
378.27	M27	6	35	48	25	Ø17	6	102	6	M27	81-101	Es.46	Es.6	90x90	120x120

art. 379

Cardine a cavalletto con barra lunga e controdado
Long u-bolt hinge with 2 nuts
петля u-образная, длинная

- FISSARE
- SALDARE
- REGOLABILE

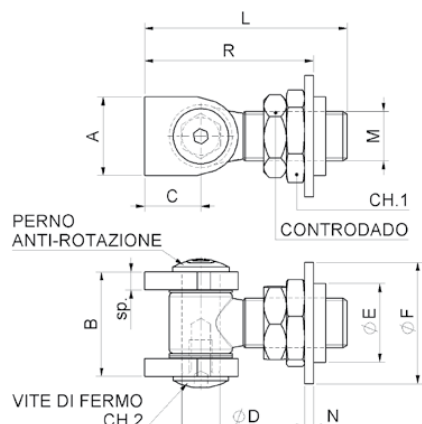


cod.	mm.	pz/pcs	A	B	C	ØD	F	L	sp	M	CH.2
379.18	M18	10	30	41	21	Ø14	140	178	6	M18	Es.5
379.20	M20	10	30	41	21	Ø14	142	185	6	M20	Es.5
379.22	M22	6	35	47,5	25	Ø17	136	182	6	M22	Es.6
379.24	M24	6	35	47,5	25	Ø17	141	190	6	M24	Es.6

art. 875

Cardine con alette regolabile con rondella e controdado
Adjustable wings hinge
петля, регулируемая

- SALDARE
- REGOLABILE



cod.	mm.	pz/pcs	A	B	C	ØD	ØE	ØF	L	sp	M	N	R	CH.1	CH.2
875.16	M16	12	27	38	21	Ø12	Ø30	Ø46	84	5	M16	4	58-78	Es.30	Es.4
875.18	M18	12	30	43	21	Ø14	Ø30	Ø46	92	6	M18	4	61-86	Es.30	Es.5
875.20	M20	12	30	43	21	Ø14	Ø30	Ø46	92	6	M20	4	61-86	Es.30	Es.5
875.22	M22	6	35	53	25	Ø17	Ø35	Ø54	96	8	M22	4	69-90	Es.36	Es.6
875.24	M24	6	35	53	25	Ø17	Ø35	Ø54	106	8	M24	4	70-100	Es.36	Es.6
875.27	M27	6	35	53	25	Ø17	Ø45	Ø71	102	8	M27	6	74-96	Es.46	Es.6





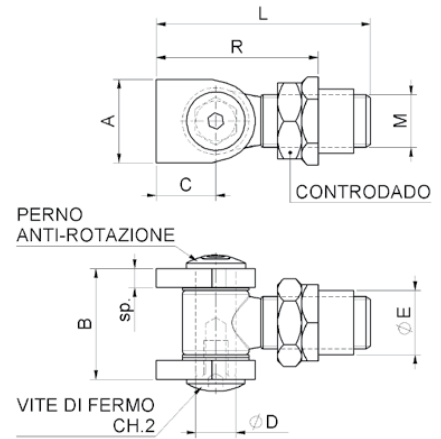
CATALOGO GENERALE 2017/18
General Catalogue 2017/18

ACCESSORI CANCELLI BATTENTI
Swing Gates Accessories

art. 876

Cardine con alette con boccola e controdado
Wings hinge with bush to be welded
петля, регулируемая, с
гайкой под сварку

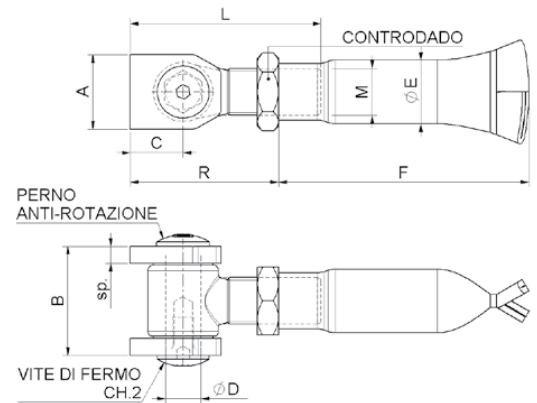
Versione INOX/Stainless steel art.876IX pag. 206



cod.	mm.	pz/pcs	A	B	C	ØD	ØE	L	sp	M	R	CH.2
876.16	M16	12	27	38	21	Ø12	Ø21	84	5	M16	52-71	Es.4
876.18	M18	12	30	43	21	Ø14	Ø25	92	6	M18	57-79	Es.5
876.20	M20	12	30	43	21	Ø14	Ø25	92	6	M20	57-79	Es.5
876.22	M22	6	35	53	25	Ø17	Ø27	96	8	M22	64-80	Es.6
876.24	M24	6	35	53	25	Ø17	Ø30	106	8	M24	66-90	Es.6
876.27	M27	6	35	53	25	Ø17	Ø35	102	8	M27	67-87	Es.6

art. 877

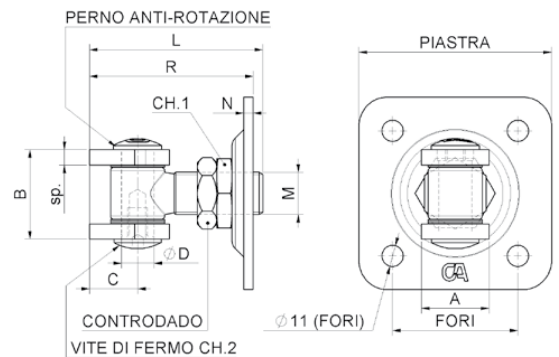
Cardine con alette con tubolare
a murare e controdado
Wings hinge for building into wall
петля, регулируемая, для
вмуровывания в стену



cod.	mm.	pz/pcs	A	B	C	ØD	ØE	F	L	sp	M	R	CH.2
877.16	M16	12	27	38	21	Ø12	Ø25	103	84	5	M16	46-63	Es.4
877.18	M18	12	30	43	21	Ø14	Ø25	103	92	6	M18	49-71	Es.5
877.20	M20	6	30	43	21	Ø14	Ø27	103	92	6	M20	49-71	Es.5
877.22	M22	6	35	53	25	Ø17	Ø30	118	96	8	M22	57-75	Es.6
877.24	M24	6	35	53	25	Ø17	Ø34	118	106	8	M24	58-85	Es.6
877.27	M27	6	35	53	25	Ø17	Ø34	118	102	8	M27	59-81	Es.6

art. 878

Cardine con alette con piastra e controdado
Adjustable wings hinge with plate
петля, регулируемая, с пластиной



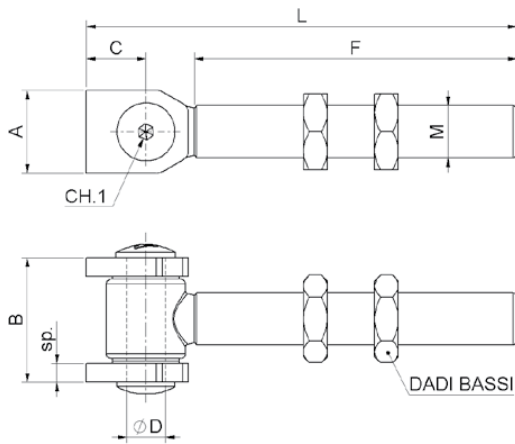
cod.	mm.	pz/pcs	A	B	C	ØD	L	sp	M	N	R	fori	piastra	CH.1	CH.2
878.16	M16	10	27	38	21	Ø12	84	5	M16	5	64-83	56x56	80x80	Es.36	Es.4
878.18	M18	10	30	43	21	Ø14	92	6	M18	5	68-91	56x56	80x80	Es.36	Es.5
878.20	M20	10	30	43	21	Ø14	92	6	M20	5	68-91	56x56	80x80	Es.36	Es.5
878.22	M22	10	35	53	25	Ø17	96	8	M22	5	76-95	65x65	100x100	Es.36	Es.6
878.24	M24	10	35	53	25	Ø17	106	8	M24	5	77-105	65x65	100x100	Es.36	Es.6
878.27	M27	6	35	53	25	Ø17	102	8	M27	6	81-101	90x90	120x120	Es.46	Es.6



ACCESSORI CANCELLI BATTENTI
Swing Gates Accessories

art. **879**

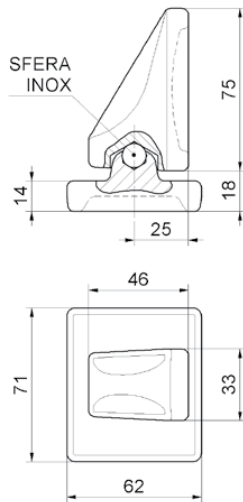
Cardine con alette con barra
lunga e controdado
Long hinge with 2 nuts
петля, регулируемая, длинная



cod.	mm.	pz/pcs	A	B	C	ØD	F	L	sp	M	CH.1
879.18	M18	10	30	42,5	21	Ø14	140	178	6	M18	Es.5
879.20	M20	10	30	42,5	21	Ø14	142	185	6	M20	Es.5
879.22	M22	6	35	51,5	25	Ø17	136	182	8	M22	Es.6
879.24	M24	6	35	51,5	25	Ø17	141	190	8	M24	Es.6

art. **347**

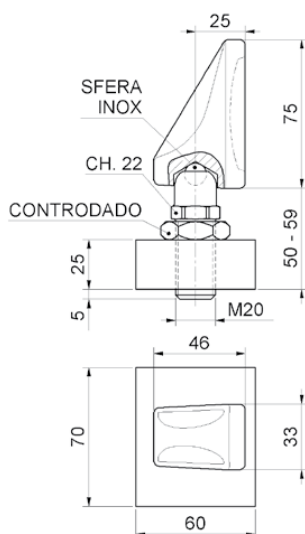
Perno inferiore con piastra sferica
Round bottom pin w/plate
петля опорная с шариком



cod.	mm.	pz/pcs
347.P	UNICA	6

art. **347 R**

Perno inferiore con piastra sferica regolabile
Round bottom pin w/adjustable plate
петля опорная с шариком, регулируемая



cod.	mm.	pz/pcs
347R	UNICA	6



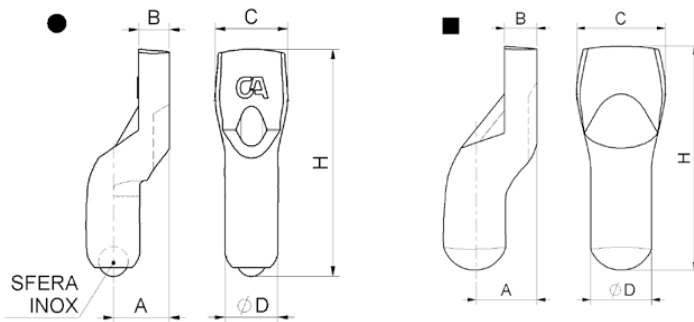
ACCESSORI CANCELLI BATTENTI
Swing Gates Accessories

CATALOGO GENERALE 2017/18
General Catalogue 2017/18

art. 348

Perno sferico inferiore
Round bottom pin
палец опорный с шариком

Versione INOX/Stainless steel art.348IX pag. 207

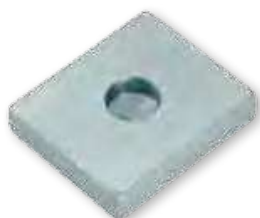
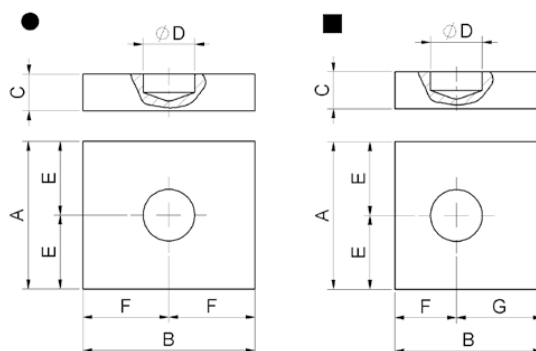


cod.	vers. zincata	Ø	pz/pcs		A	B	C	ØD	H	cardine
348.20	348Z.20	20	10	•	21	11	27	Ø20	85	M16 - M18 - M20
348.24	348Z.24	24	6	•	25	14	32	Ø24	96	M22 - M24
348.27	348Z.27	27	6	▪	25	15	38	Ø28	105	M27

art. 349

Piastra per perno art.348
Bottom plate for round bottom pin
пластина опорная

Versione INOX/Stainless steel art.349IX pag. 208



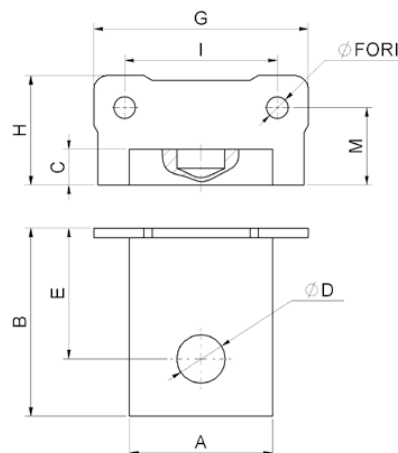
cod.	vers. zincata	Ø	pz/pcs		A	B	C	ØD	E	F	G	cardine
349.20	349Z.20	20	10	•	60	70	15	Ø21	30	35	-	M16 - M18 - M20
349.24	349Z.24	24	6	•	60	70	20	Ø25	30	35	-	M22 - M24
349.27	349Z.27	27	6	•	80	80	20	Ø28,5	40	40	-	M27

Disponibile su richiesta / Available on demand

cod.	vers. zincata	Ø	pz/pcs		A	B	C	ØD	E	F	G	cardine
349DST.20	349DSTZ.20	20	10	▪	60	60	15	Ø21	30	25	35	M16 - M18 - M20
349DST.24	349DSTZ.24	24	6	▪	70	70	20	Ø25	35	29	41	M22 - M24
349DST.27	349DSTZ.27	27	6	▪	70	70	20	Ø28,5	35	29	41	M27

art. 349 PST

Bottom plate for round bottom pin
пластина опорная, с
креплением под болты



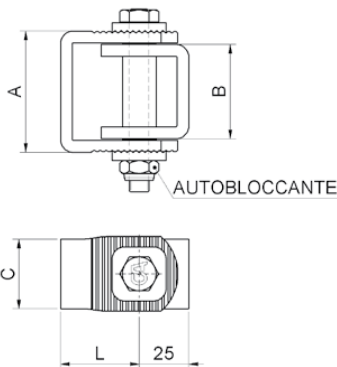
cod.	Ø	pz/pcs	A	B	C	ØD	E	G	H	I	M	fori
349PST.20	20	10	60	79	15	Ø20,5	55	90	46	64	33	Ø9
349PST.24	24	6	70	85	20	Ø24,5	60	110	54	80	39	Ø11
349PST.27	27	6	80	95	20	Ø28,5	70	130	65	90	45	Ø13



ACCESSORI CANCELLI BATTENTI
Swing Gates Accessories

art. 370

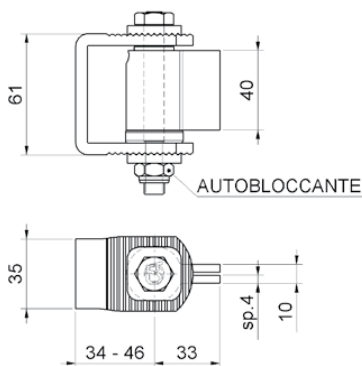
Cardine regolabile
Adjustable hinge
петля регулируемая



cod.	cod. zinc.	mm.	pz/pcs	A	B	C	L
370.P	370Z.P	PICCOLO	12	44	31	30	31 - 42
370.G	370Z.G	GRANDE	10	61	46	35	34 - 46

art. 371

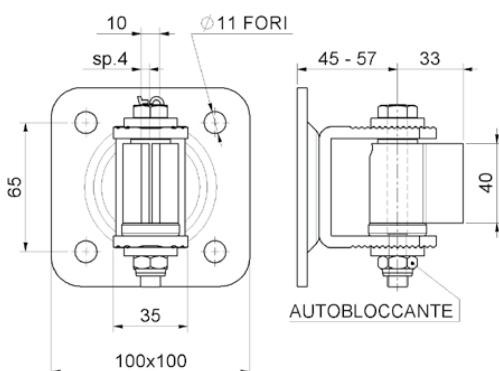
Cardine a cavallotto regolabile
con ala-cuscinetto
Adjustable hinge w/wing
петля регулируемая, с крылом



cod.	Ø	pz/pcs
371	GRANDE	10

art. 372

Cardine a cavallotto regolabile
con ala-cuscinetto e piastra
Adjustable hinge w/wing with plate
петля регулируемая, с крылом,
с креплением под болты



cod.	Ø	pz/pcs
372	GRANDE	10

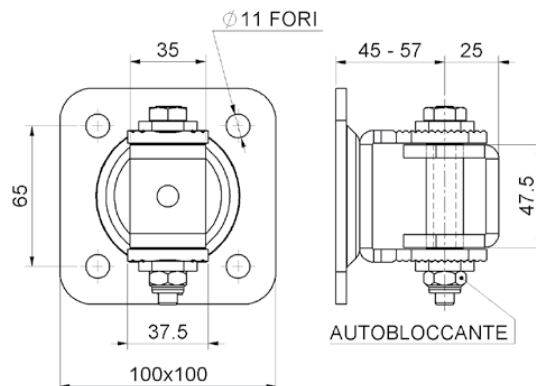


CATALOGO GENERALE 2017/18
General Catalogue 2017/18

ACCESSORI CANCELLI BATTENTI
Swing Gates Accessories

art. 373

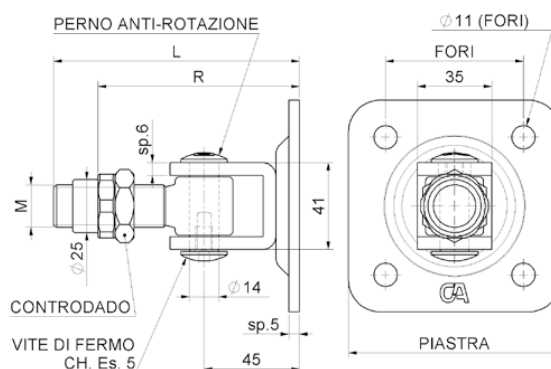
Cardine regolabile con cavallotto e piastra
Adjustable hinge w/u-bolt w/plate
петля регулируемая, u-образная с пластиной



cod.	mm.	pz/pcs
373	GRANDE	10

art. 374

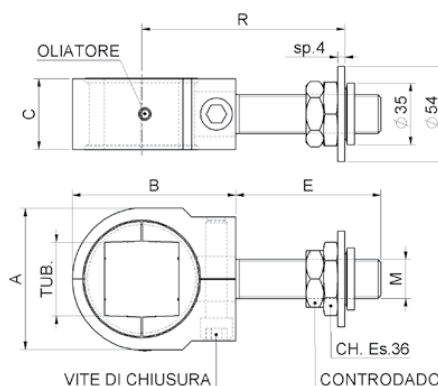
Cardine a cavallotto per apertura a 180° con piastra e boccola
Welded u-bolt hinge with bush with plate
петля регулируемая под сварку



cod.	mm.	pz/pcs	L	M	R	piastra	fori
374.18	M18-80	10	116	M18	81-94	80x80	56x56
374.20	M20-100	10	116	M20	81-105	100x100	65x65

art. 845

SISTEMA BREVETTATO - PATENT PENDING
Cardine Matrix regolabile con rondella e controdamo
Adjustable self-assembly clamp-hinge nut with washer "Matrix"
петля «Matrix», регулируемая

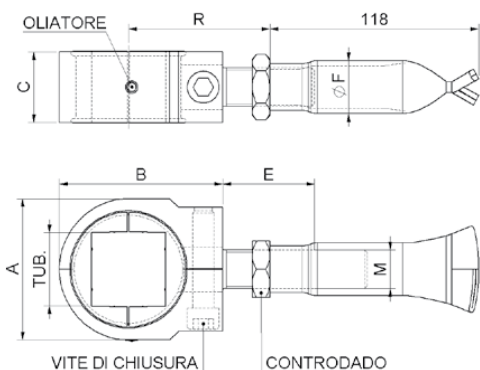


cod.	mm.	pz/pcs	A	B	C	E	M	R	vite
845.30	TUB. 30	4	60	77,5	35	82	M22	70-122	M12
845.35	TUB. 35	4	70	84,5	35	82	M22	73-125	M12
845.40	TUB. 40	4	80	92,5	40	82	M22	77-129	M12
845.50	TUB. 50	4	90	108	45	52	M24	87-109	M14



ACCESSORI CANCELLI BATTENTI
Swing Gates Accessories

art. 847



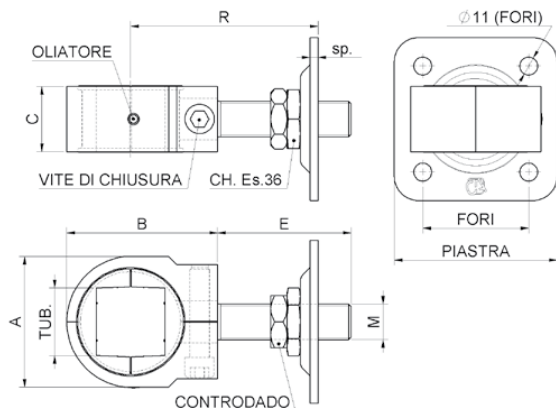
SISTEMA BREVETTATO - PATENT PENDING

Cardine Matrix con tubolare a murare e controdato
Self - assembly clamp - hinge for building into wall "Matrix"
петля «matrix», регулируемая, для вмуровывания в стену



cod.	mm.	pz/pcs	A	B	C	E	ØF	M	R	vite
847.30	TUB. 30	4	60	77,5	35	82	Ø30	M22	57-105	M12
847.35	TUB. 35	4	70	84,5	35	82	Ø30	M22	60-108	M12
847.40	TUB. 40	4	80	92,5	40	82	Ø30	M22	65-113	M12
847.50	TUB. 50	4	90	108	45	52	Ø34	M24	75-91	M14

art. 848



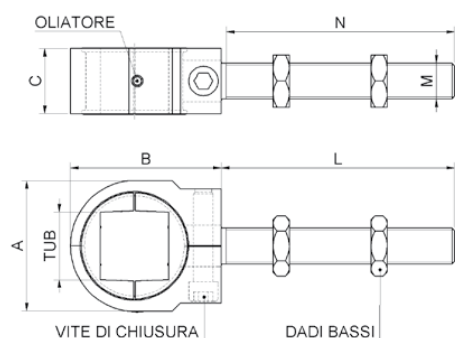
SISTEMA BREVETTATO - PATENT PENDING

Cardine Matrix con piastra e controdato
Adjustable self-assembly clamp - hinge with plate "Matrix"
петля «Matrix», регулируемая, с пластиной



cod.	mm.	pz/pcs	A	B	C	E	M	sp	R	vite	piastra	fori
848.30	TUB. 30	4	60	77,5	35	82	M22	5	77-127	M12	100x100	65x65
848.35	TUB. 35	4	70	84,5	35	82	M22	5	80-130	M12	100x100	65x65
848.40	TUB. 40	4	80	92,5	40	82	M22	5	85-135	M12	100x100	65x65
848.50	TUB. 50	4	90	108	45	52	M24	6	96-115	M14	120x120	90x90

art. 849



SISTEMA BREVETTATO - PATENT PENDING

Cardine Matrix con barra lunga e controdato
Self-assembly long clamp - hinge with 2 nuts "Matrix"
петля «Matrix», регулируемая, длинная



cod.	mm.	pz/pcs	A	B	C	L	M	N	vite
849.30	TUB. 30	4	60	77,5	35	142,5	M22	140	M12
849.35	TUB. 35	4	70	84,5	35	142,5	M22	140	M12
849.40	TUB. 40	4	80	92,5	40	142,5	M22	140	M12
849.50	TUB. 50	4	90	108	45	164,5	M24	162	M14



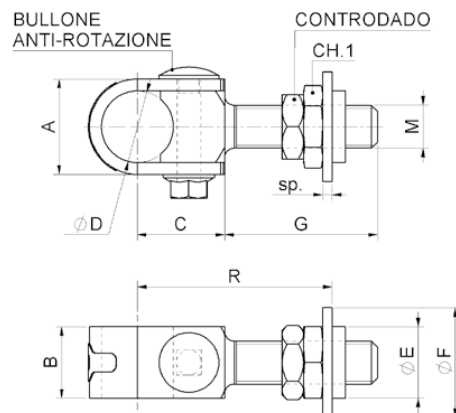
CATALOGO GENERALE 2017/18
General Catalogue 2017/18

ACCESSORI CANCELLI BATTENTI
Swing Gates Accessories

art. 850

Cardine a fascetta regolabile con rondella e controdado
Adjustable clamp - hinge nut with washer
петля-хомут, регулируемая

- FISSARE
- SALDARE
- REGOLABILE

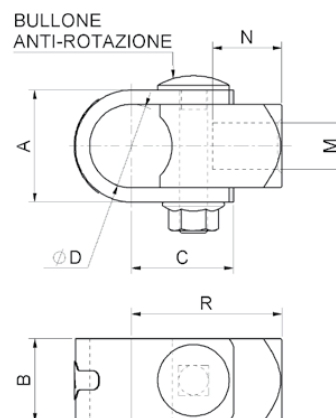


cod.	mm.	pz/pcs	A	B	C	ØD	ØE	ØF	G	M	R	sp	bullone	CH.1
850.18	M18	6	40	30	36,5	Ø30	Ø30	Ø46	64	M18	63-92	4	M10	Es.30
850.22	M22	6	47	35	42,5	Ø35	Ø35	Ø54	72	M22	70-107	4	M12	Es.36
850.27	M27	6	52	40	48,5	Ø40	Ø45	Ø71	72	M27	82-111	6	M12	Es.46

art. 851

Clamp - hinge body for threaded bars
корпус петли-хомут

- FISSARE
- REGOLABILE

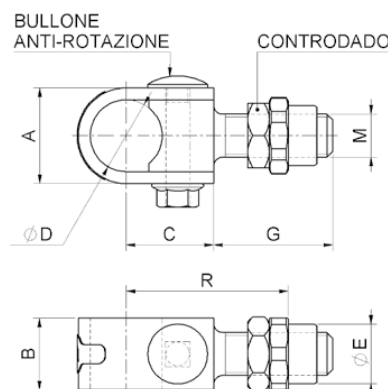


cod.	mm.	pz/pcs	A	B	C	ØD	M	N	R	bullone
851.18	M18	6	40	30	36,5	Ø30	M18	18	53,5	M10
851.22	M22	6	47	35	42,5	Ø35	M22	22	63	M12
851.27	M27	6	52	40	48,5	Ø40	M27	27	73,5	M12

art. 855

Cardine a fascetta con boccola e controdado
Clamp - hinge with bush to be welded
петля-хомут, с гайкой под сварку

- FISSARE
- SALDARE

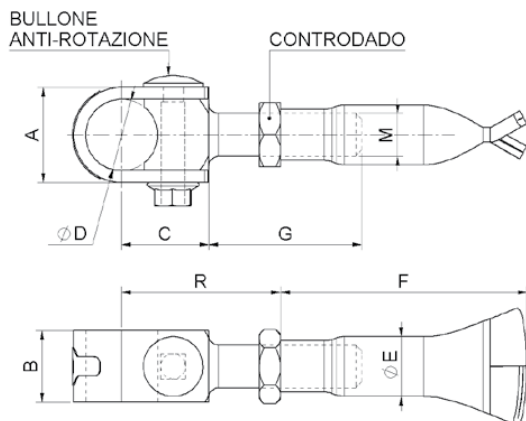


cod.	mm.	pz/pcs	A	B	C	ØD	ØE	G	M	R	bullone
855.18	M18	6	40	30	36,5	Ø30	Ø25	64	M18	59-74	M10
855.22	M22	6	47	35	42,5	Ø35	Ø27	72	M22	65-83	M12
855.27	M27	6	52	40	48,5	Ø40	Ø35	72	M27	75-93	M12



ACCESSORI CANCELLI BATTENTI
Swing Gates Accessories

art. **856**

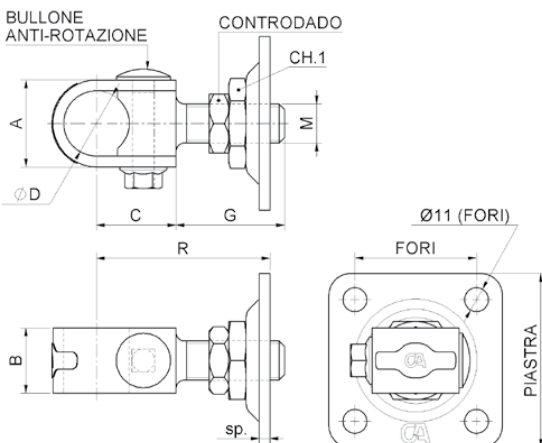


Cardine a fascetta con tubolare a murare e controdamo
Clamp - hinge for building into wall
петля-хомут, регулируемая, для вмуровывания в стену



cod.	mm.	pz/pcs	A	B	C	ØD	ØE	F	G	M	R	bullone
856.18	M18	6	40	30	36,5	Ø30	Ø25	103	64	M18	51-68	M10
856.22	M22	6	47	35	42,5	Ø35	Ø30	118	72	M22	61-76	M12
856.27	M27	6	52	40	48,5	Ø40	Ø34	118	72	M27	67-81	M12

art. **857**

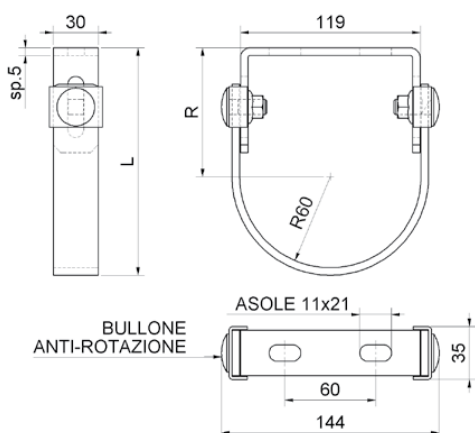


Cardine a fascetta regolabile con piastra e controdamo
Adjustable clamp - hinge with plate
петля-хомут, регулируемая, с пластиной



cod.	mm.	pz/pcs	A	B	C	ØD	G	M	R	sp	fori	piastra	CH.1	Bullone
857.18	M18	6	40	30	36,5	Ø30	64	M18	70-87	5	56x56	80x80	Es.36	M10
857.22	M22	6	47	35	42,5	Ø35	72	M22	77-98	5	65x65	100x100	Es.36	M12
857.27	M27	6	52	40	48,5	Ø40	72	M27	89-109	6	90x90	120x120	Es.46	M12

art. **858**



Anello anti-caduta per ante battenti
Adjustable security ring for swing gates anti downfall
ХОМУТ



cod.	mm.	pz/pcs	R	L
858R	UNICA	6	70-100	135-165



ACCESSORI CANCELLI BATTENTI
Swing Gates Accessories

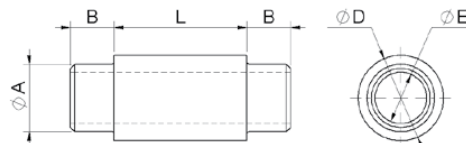
CATALOGO GENERALE 2017/18
General Catalogue 2017/18

art. **861 T**

Tronchetto di giunzione Tondo per cardine a fascetta
Round joint for upper guide clamp-hinge
элемент соединительный, для петли-хомута



SALDARE



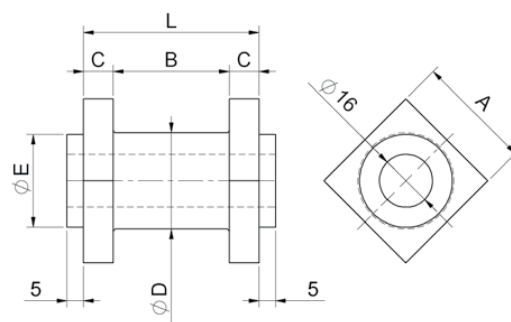
cod.	Ø	pz/pcs	ØA	B	ØD	ØE	L	cardine	tub.
861T.30	30	10	Ø24	15	Ø29	Ø17,5	45	M18	Ø30
861T.35	35	10	Ø29	15	Ø34	Ø17,5	50	M22	Ø35
861T.40	40	10	Ø34	15	Ø39	Ø17,5	55	M27	Ø40

art. **861 P**

Tronchetto di giunzione per cardine a fascetta
Square joint pin for upper guide clamp - hinge
элемент соединительный, для петли-хомута



SALDARE



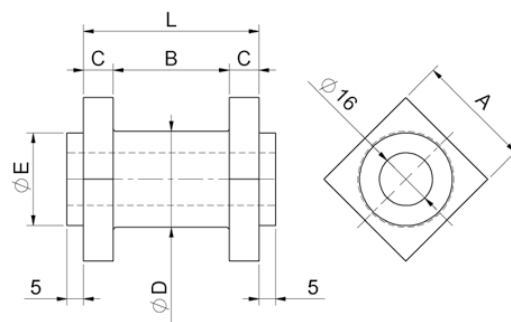
cod.	Ø	pz/pcs	tub.	cardine	A	B	C	ØD	ØE	L
861P.30/30	30	10	30	M18	30x30	35	9	Ø29	Ø23	53
861P.35/35	35	10	35	M22	35x35	40	9	Ø34	Ø28	58
861P.40/40	40	6	40	M27	40x40	45	10	Ø39	Ø33	65

art. **861 G**

Tronchetto di giunzione per cardine a fascetta
Square joint pin for upper guide clamp - hinge
элемент соединительный, для петли-хомута



SALDARE



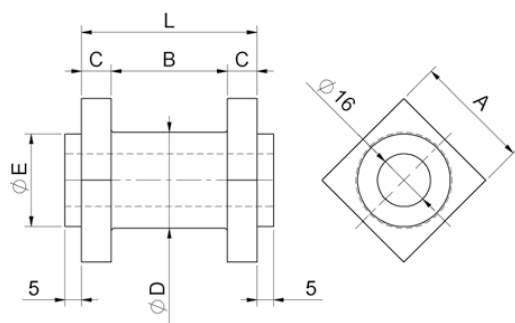
cod.	Ø	pz/pcs	tub.	cardine	A	B	C	ØD	ØE	L
861G.35/30	30	10	35	M18	35x35	35	9	Ø29	Ø28	53
861G.40/35	35	10	40	M22	40x40	40	9	Ø34	Ø33	58
861G.50/40	40	10	50	M27	50x50	45	10	Ø39	Ø43	65



ACCESSORI CANCELLI BATTENTI
Swing Gates Accessories

art. **861x**

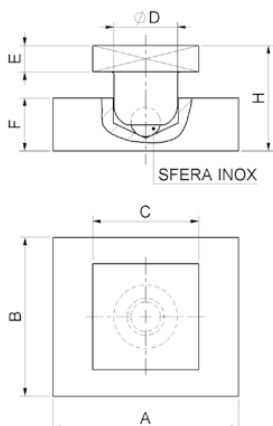
Tronchetto di giunzione EXTRA per cardine a fascetta
Square joint pin for upper guide clamp - hinge
элемент соединительный, для петли-хомута



cod.	Ø	pz/pcs	tub.	cardine	A	B	C	ØD	ØE	L
861X.50/35	35	10	50	M22	50x50	40	9	Ø34	Ø43	58
861X.60/40	40	10	60	M27	60x60	45	10	Ø39	Ø53	65

art. **862**

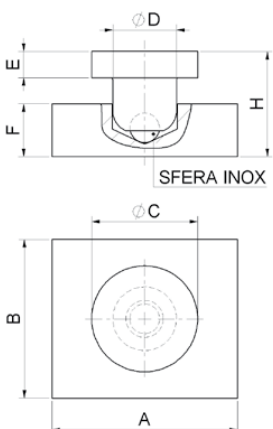
Perno inferiore base quadrata
Square bottom pin with welding plate
петля опорная, с пластиной под сварку, квадратная



cod.	mm.	pz/pcs	A	B	C	ØD	E	F	H
862.30	TUB.30	6	70	60	30x30	Ø24	10	20	38
862.35	TUB.35	6	70	60	35x35	Ø24	10	20	38
862.40	TUB.40	6	70	60	40x40	Ø24	10	20	40
862.50	TUB.50	6	100	80	50x50	Ø34	10	25	50

art. **862 T**

Perno inferiore base tonda
Round bottom pin with welding plate
петля опорная, с пластиной под сварку, круглая



cod.	Ø	pz/pcs	A	B	ØC	ØD	E	F	H
862T.30	30	6	70	60	Ø30	Ø24	10	20	38
862T.35	35	6	70	60	Ø35	Ø24	10	20	38
862T.40	40	6	70	60	Ø40	Ø24	10	20	40
862T.50	50	6	100	80	Ø50	Ø34	10	25	50

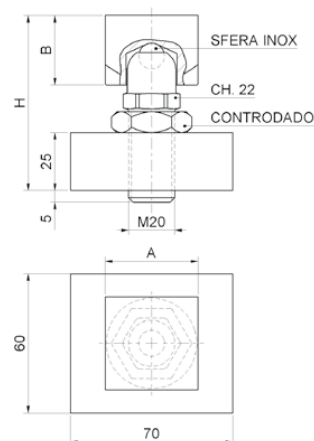


CATALOGO GENERALE 2017/18
General Catalogue 2017/18

ACCESSORI CANCELLI BATTENTI
Swing Gates Accessories

art. **862 R**

Perno inferiore regolabile
Square bottom pin with
adjustable welding plate
петля опорная, с пластиной
под сварку, регулируемая



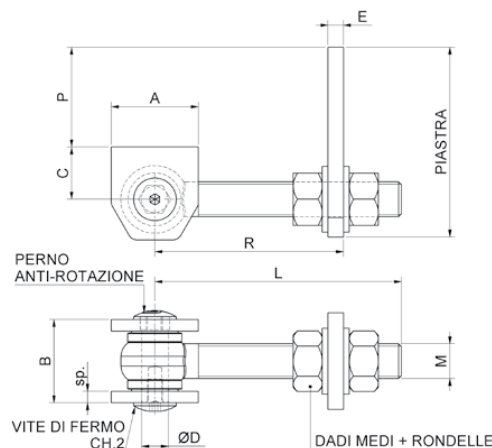
cod.	mm.	pz/pcs	A	B	H
862R.30	TUB.30	6	30x30	28	73-78
862R.35	TUB.35	6	35x35	28	73-78
862R.40	TUB.40	6	40x40	30	75-80
862R.50	TUB.50	6	50x50	30	75-80

art. **880**

Cardine con alette con piastra
regolabile per aperture a 180°
Hinge with fixing plate to allow
180° opening with 2 way adjustment
петля, регулируемая, с
пластиной, открывание 180°



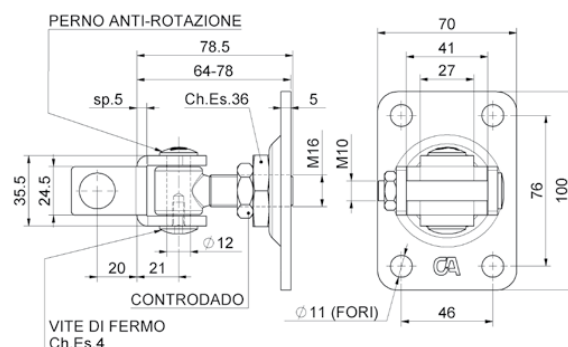
Versione INOX/Stainless steel art.880IX pag. 208



cod.	zinc.a caldo	mm.	pz/pcs	A	B	C	ØD	E	L	sp	M	P	R	CH.2	piastra
880.12	880ZC.12	M12	10	45	37	24	Ø12	6	100	6	M12	23-36	43-87	Es.4	75x45x6
880.16	880ZC.16	M16	10	45	43	27	Ø14	8	118	6	M16	78-103	48-102	Es.5	148x60x8
880.20	880ZC.20	M20	10	70	49	35	Ø17	8	166	8	M20	37-62	64-147	Es.6	120x60x8
880.24	880ZC.24	M24	10	70	51	35	Ø17	12	168	8	M24	53-75	72-144	Es.6	135x70x12

art. **885**

Cardine con piastra ad avvitare su tubolare
Plate hinge to be screwed to the gate profile
Петля с пластиной, для завинчивания
к профилю ворот



cod.	mm.	pz/pcs
885.16	M16	10

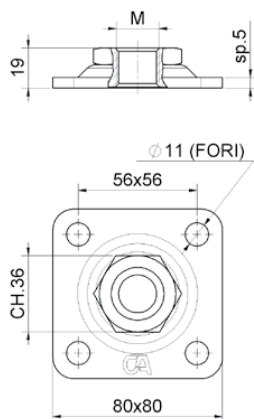


ACCESSORI CANCELLI BATTENTI
Swing Gates Accessories

art. **860 s**

Piastra regolabile small per cardini
Adjustable plate
пластина, регулировочная

Versione Inox/Stainless Steel pag.207

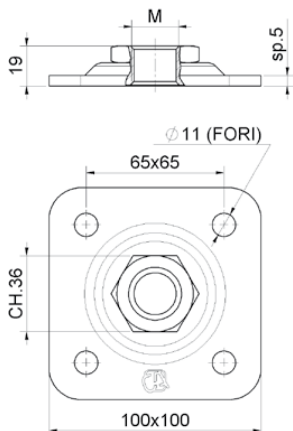


cod.	mm.	pz/pcs
860S.16/80	M16	10
860S.18/80	M18	10
860S.20/80	M20	10
860S.22/80	M22	10

art. **860 P**

Piastra regolabile piccola per cardini
Adjustable plate
пластина, регулировочная, малая

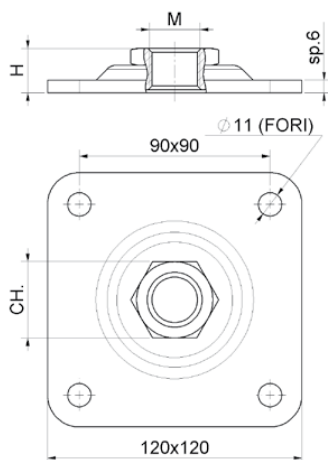
Versione INOX/Stainless steel art.860PIX pag. 207



cod.	mm.	pz/pcs
860P.18/100	M18	10
860P.20/100	M20	10
860P.22/100	M22	10
860P.24/100	M24	10

art. **860 G**

Piastra regolabile grande per cardini
Adjustable plate
пластина, регулировочная,
большая



cod.	mm.	pz/pcs	H	CH.
860G.22/120	M22	10	21	36
860G.24/120	M24	10	21	41
860G.27/120	M27	10	22	46

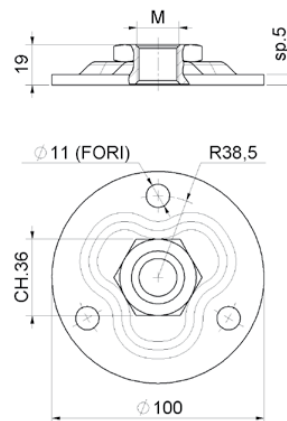


ACCESSORI CANCELLI BATTENTI
Swing Gates Accessories

CATALOGO GENERALE 2017/18
General Catalogue 2017/18

art. **860 T**

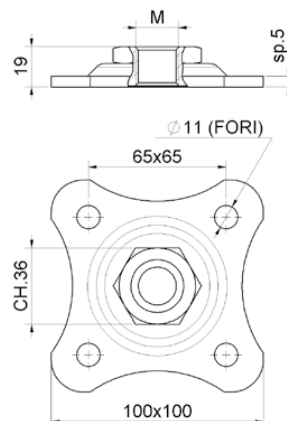
Piastra regolabile Tonda per cardini
Round adjustable plate
пластина, регулировочная, круглая



cod.	mm.	pz/pcs
860T.18	M18	10
860T.20	M20	10
860T.22	M22	10
860T.24	M24	10

art. **860 E**

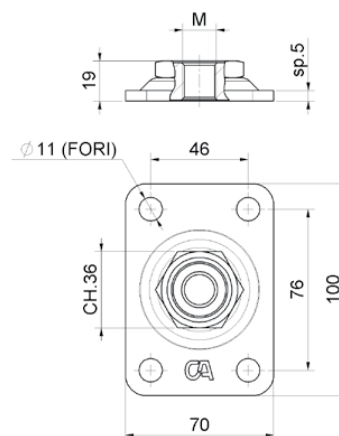
Piastra regolabile Elegance per cardini
Elegance adjustable plate
пластина, регулировочная



cod.	mm.	pz/pcs
860E.18	M18	10
860E.20	M20	10
860E.22	M22	10
860E.24	M24	10

art. **860 RT**

Piastra rettangolare
Adjustable rectangular plate
Регулируемая прямоугольная пластина



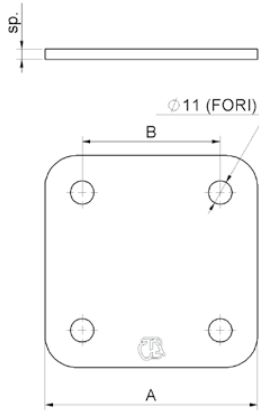
cod.	mm.	pz/pcs
860RT.16	M16	10
860RT.18	M18	10
860RT.20	M20	10
860RT.22	M22	10



ACCESSORI CANCELLI BATTENTI
Swing Gates Accessories

art. **863**

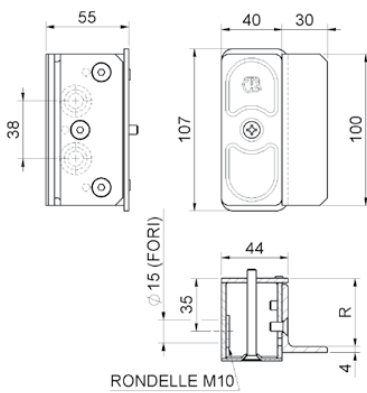
Piastra universale
Universal fixing plate
пластина, установочная



cod.	mm.	pz/pcs	A	B	sp
863.100	PICCOLA	10	100x100	65x65	5
863.120	GRANDE	10	120x120	90x90	6

art. **352**

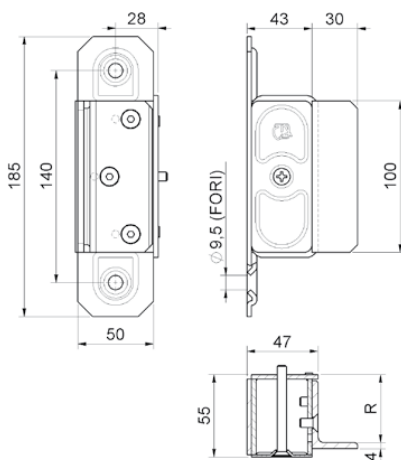
Battente portaincontro regolabile
per elettroserrature
Electrical pedestrian gates catch
защёлка для калитки, электрическая



cod.	mm.	pz/pcs	viti	R
352	UNICA	4	M6	45 - 55

art. **352 F**

Battente portaincontro regolabile
con ali per elettroserrature
Electrical pedestrian gates catch
with 2 wings screw fix
защёлка для калитки, электрическая,
крепление под болт



cod.	mm.	pz/pcs	viti	R
352F	UNICA	4	M6	45 - 55



CATALOGO GENERALE 2017/18
General Catalogue 2017/18

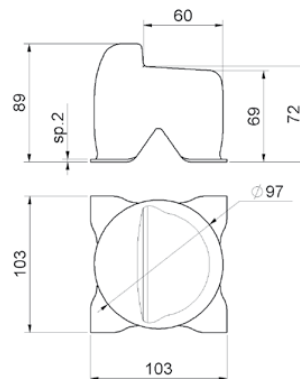
ACCESSORI CANCELLI BATTENTI
Swing Gates Accessories

art. **380**

Battente d'arresto a cementare
Embedded swing gate end stop
опора для распашных ворот



MURARE



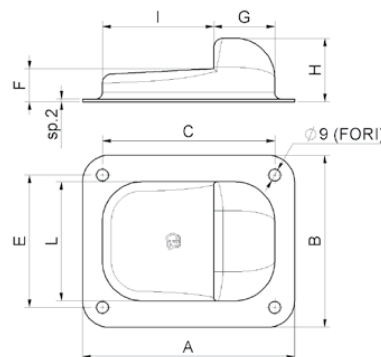
cod.	mm.	pz/pcs
380	UNICA	16

art. **380 F**

Swing gate stop screw fix
опора для распашных ворот



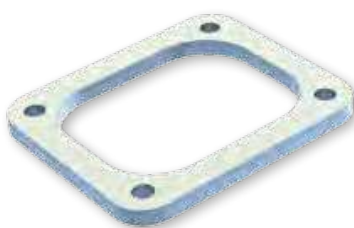
FISSARE



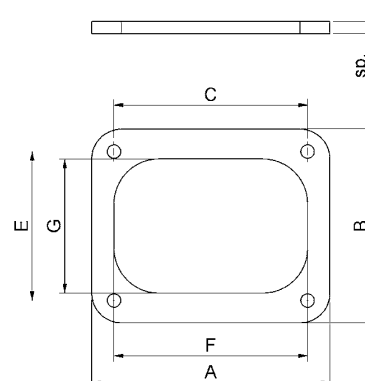
cod.	mm.	pz/pcs	A	B	C	E	F	G	H	I	L
380F.P	PICCOLO	20	120	100	95	75	23	36	44	59	75
380F.G	GRANDE	20	160	130	130	100	25	46	48	84	90

art. **380 FPST**

Piastra di spessore per art.380F
Thickness-plate for art.380F
Пластина компенсации
толщины для арт. 380F



COMING SOON!

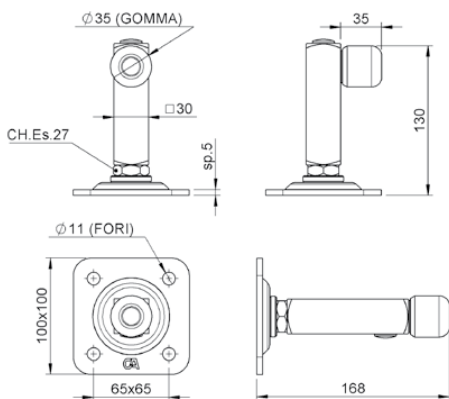


cod.	mm.	pz/pcs	A	B	C	E	F	G	sp.
380FPST.P	PICCOLO	20	120	100	95	75	95	75	6
380FPST.G	GRANDE	20	160	130	130	100	130	90	8



ACCESSORI CANCELLI BATTENTI
Swing Gates Accessories

art. **386**



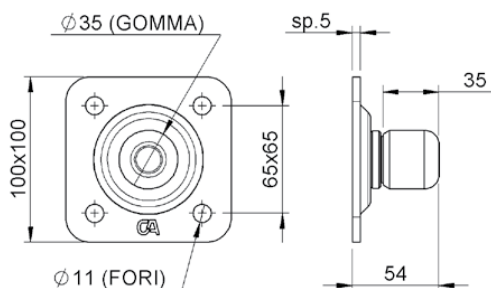
Sliding gate convertible stop
Конвертируемый буфер
для откатных ворот



cod.	mm.	pz/pcs
386	UNICA	4

art. **386 w**

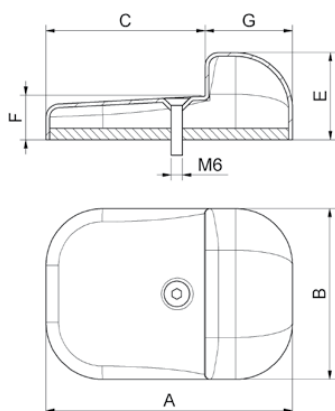
Wall swing gate stop
буфер для распашных ворот



cod.	mm.	pz/pcs
386W	UNICA	4

art. **388**

Battente d'arresto con piastra ad avvitare
Swing gate stop with plate to screw
Опора для распашных ворот с
пластиной для завинчивания



**COMING
SOON!**



cod.	mm.	pz/pcs	A	B	C	ØD	E	F	G
388.P	PICCOLO	20	95	75	59	Ø12	42	21	36
388.G	GRANDE	20	130	90	84	Ø12	46	23	46

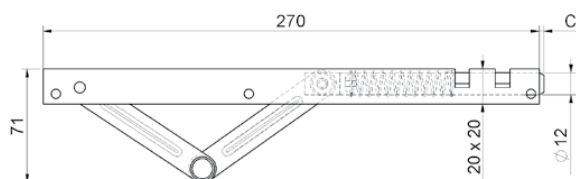


ACCESSORI CANCELLI BATTENTI
Swing Gates Accessories

CATALOGO GENERALE 2017/18
General Catalogue 2017/18

art. 300 IX

Paletto a molla reversibile inox
Stainless steel automatic
spring bolt gate closer
шпингалет, автоматический,
нержавеющая сталь

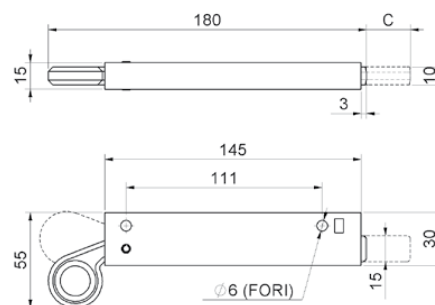


cod.	mm.	pz/pcs	C
300IX	UNICA	5	0 - 30

art. 301

Paletto a molla con leva ottone
Automatic spring bolt gate closer w/brass lever
завидка с пружиной, реверсивная

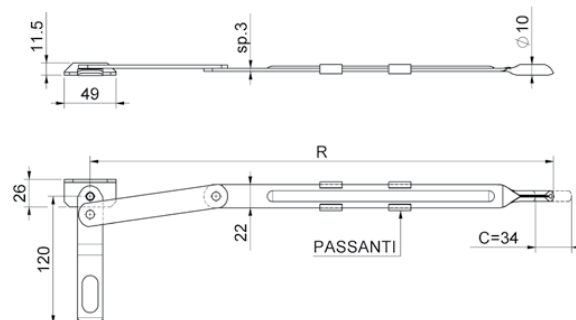
Versione INOX/Stainless steel art.301IX pag. 205



cod.	mm.	pz/pcs	C
301	UNICA	6	0 - 25

art. 305

Paletto a leva per cancelli
Lever bolt for gates
шпингалет, рычажный для ворот



cod.	mm.	pz/pcs	R	passanti
305.350	350	10	321 - 355	2 pz
305.450	450	10	421 - 455	2 pz
305.600	600	10	571 - 605	3 pz
305.700	700	10	671 - 705	3 pz

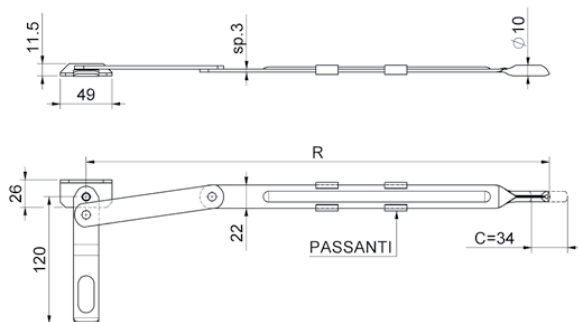


ACCESSORI CANCELLI BATTENTI
Swing Gates Accessories

art. **305 PL**

Paletto a leva per cancelli con

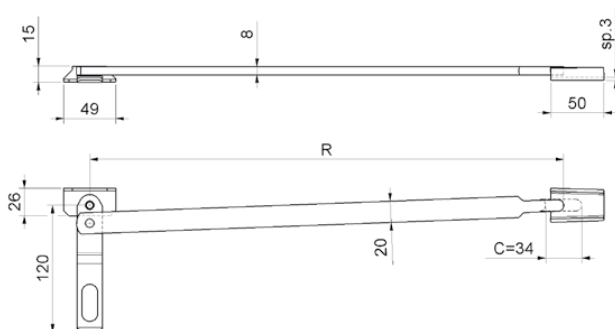
Lever bolt for gates w/coated handle
шпингалет, рычажный для ворот



cod.	mm.	pz/pcs	R	passanti
305PL.350	350	10	321 - 355	2 pz
305PL.450	450	10	421 - 455	2 pz
305PL.600	600	10	571 - 605	3 pz
305PL.700	700	10	671 - 705	3 pz

art. **310**

Paletto a leva pesante per cancelli
Heavy lever bolt for gates
шпингалет, усиленный,
рычажный для ворот

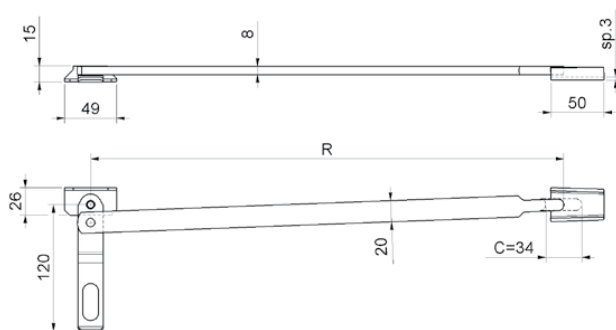


cod.	mm.	pz/pcs	R
310.500	500	10	431 - 465
310.700	700	10	631 - 665

art. **310 PL**

Paletto a leva pesante per cancelli

Heavy lever bolt for gates w/coated handle
шпингалет, усиленный,
рычажный для ворот



cod.	mm.	pz/pcs	R
310PL.500	500	10	431 - 465
310PL.700	700	10	631 - 665



ACCESSORI CANCELLI BATTENTI
Swing Gates Accessories

CATALOGO GENERALE 2017/18
General Catalogue 2017/18

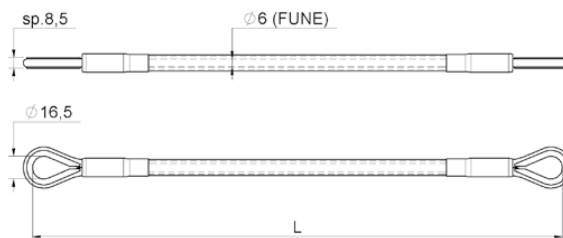
art. 859 A

Cavo anti - caduta fune Ø6
Security cable for swing gates anti downfall
трос натяжной для створки

Versione INOX/Stainless steel art.859AIX pag. 208



FISSARE



cod.	mm.	pz/pcs	L	portata
859A.400	400	5	400	 1800 Kg.
859A.500	500	5	500	
859A.530	530	5	530	
859A.600	600	5	600	
859A.700	700	5	700	

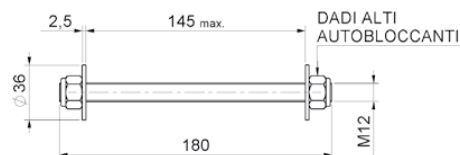
art. 859 M

Accessorio di montaggio per art.859 A
Assembly hardware for art.859 A
аксессуары для монтажа

Versione INOX/Stainless steel art.859MIX pag. 209



FISSARE



cod.	mm.	pz/pcs
859M	180	5

art. 1500

SISTEMA BREVETTATO - PATENT PENDING

Kit cardine a scomparsa con
piastre di montaggio lunghe
Hinges kit with assembling long plate
комплект петель с длинной планкой



FISSARE



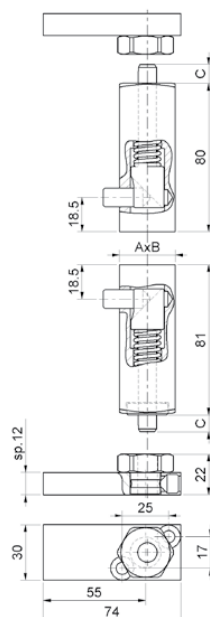
SALDARE



REGOLABILE



CUSCINETTO



SUPERIORE
• perno Ø10 cementato estraibile corsa 20 mm
• grano M10 di estrazione

INFERIORE
• perno Ø10 cementato estraibile corsa 19 mm
• grano M10 di estrazione
• cuscinetto Ø14 reggispinta portata = 9000 N

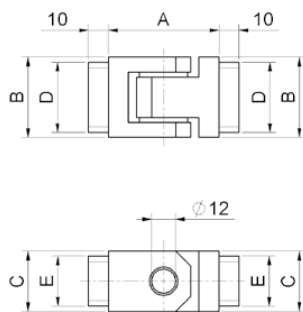
n.2 PIASTRE LUNGHE
• boccola CH.27 cementata eccentrico = 1 mm
• grano M10 di fermo
• fissaggio con viti TPS M6

cod.	mm.	A	B	C	pz/pcs
1500.30x30	Tub.30x30	30	30	0 - 20	2
1500.30x40	Tub.30x40	30	40	0 - 20	2
1500.40x30	Tub.40x30	40	30	0 - 20	2
1500.40x40	Tub.40x40	40	40	0 - 20	2



ACCESSORI CANCELLI BATTENTI
Swing Gates Accessories

art. **1600**



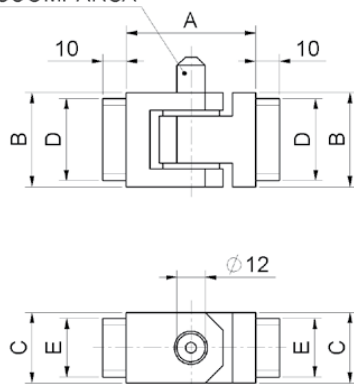
Cerniera 180° per inferriata ambidestra anta/anta
180° universal centre hinge for bi folding leaves
Петля для решёток - соединительная.
Назначение: соединение двух рамных профилей
Возможность: угол открывания 180 градусов



cod.	mm.	pz/pcs	A	B	C	D	E
1600.30x30	Tub.30x30x2	4	55	30	30	25	25
1600.30x40	Tub.30x40x2	4	55	30	40	25	35
1600.40x30	Tub.40x30x2	4	55	40	30	35	25
1600.40x40	Tub.40x40x2	4	55	40	40	35	35

art. **1605**

PERNO A SCOMPARSA

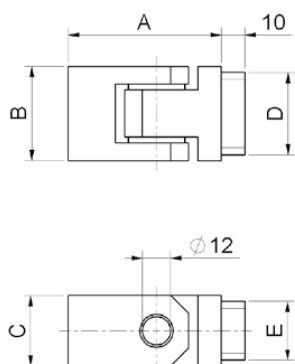


Cerniera 180° per inferriata ambidestra anta/anta
180° universal centre hinge for bi folding leaves with stainless steel removable pin
Петля для решёток с фиксатором
Назначение: соединение двух рамных профилей с возможностью фиксации
Возможность: фиксация и угол открывания 180 градусов



cod.	mm.	pz/pcs	A	B	C	D	E
1605.30x30	Tub.30x30x2	4	55	30	30	25	25
1605.30x40	Tub.30x40x2	4	55	30	40	25	35
1605.40x30	Tub.40x30x2	4	55	40	30	35	25
1605.40x40	Tub.40x40x2	4	55	40	40	35	35

art. **1610**



Cerniera 180° per inferriata ambidestra telaio/anta
180° universal hinge for single leaf
Петля для решёток - основная
Назначение: соединение профиля коробки с профилем рамы.
Возможность: угол открывания 180 градусов



cod.	mm.	pz/pcs	A	B	C	D	E
1610.30x30	Tub.30x30x2	4	65	30	30	25	25
1610.30x40	Tub.30x40x2	4	65	30	40	25	35
1610.40x30	Tub.40x30x2	4	65	40	30	35	25
1610.40x40	Tub.40x40x2	4	65	40	40	35	35

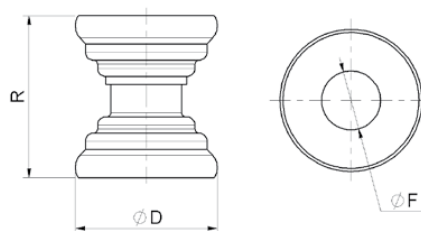


ACCESSORI CANCELLI BATTENTI
Swing Gates Accessories

CATALOGO GENERALE 2017/18
General Catalogue 2017/18

art. 1630

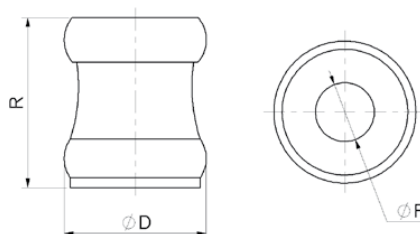
Distanziale per inferriata
Spacer for grate
Компенсаторы для решетки



cod.	mm.	pz/pcs	ØD	ØF	R
1630.30	Ø30	50	Ø30	Ø14.5	30 - 40
1630.35	Ø35	50	Ø35	Ø14.5	30 - 40

art. 1635

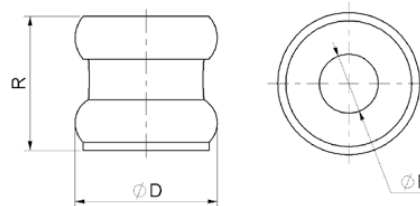
Distanziale per inferriata
Spacer for grate
Компенсаторы для решетки



cod.	mm.	pz/pcs	ØD	ØF	R
1635.30	Ø30	50	Ø30	Ø10.5	32 - 42
1635.35	Ø35	50	Ø35	Ø14.5	32 - 42

art. 1640

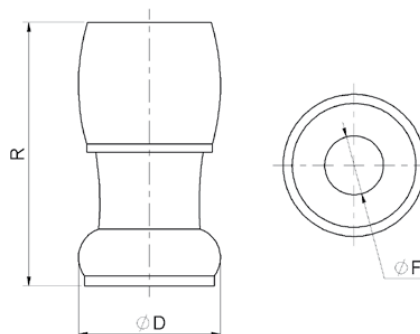
Distanziale per inferriata
Spacer for grate
Компенсаторы для решетки



cod.	mm.	pz/pcs	ØD	ØF	R
1640.30	Ø30	50	Ø30	Ø10.5	23 - 33
1640.35	Ø35	50	Ø35	Ø14.5	23 - 33

art. 1645

Distanziale per inferriata
Spacer for grate
Компенсаторы для решетки



cod.	mm.	pz/pcs	ØD	ØF	R
1645.30	Ø30	50	Ø30	Ø14.5	45 - 65
1645.35	Ø35	50	Ø35	Ø14.5	45 - 65

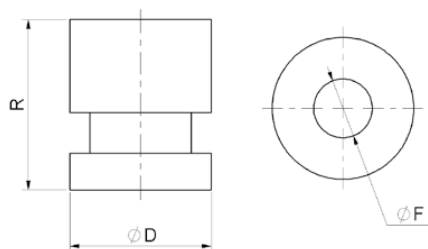


ACCESSORI CANCELLI BATTENTI

Swing Gates Accessories

art. 1650

Distanziale per inferriata
Spacer for grate
Компенсаторы для решетки



SALDARE



cod.	mm.	pz/pcs	ØD	ØF	R
1650.30	Ø30	50	Ø30	Ø14.5	32 - 42
1650.35	Ø35	50	Ø35	Ø14.5	32 - 42

LEGENDA SIMBOLI

Symbol description



SALDARE

COMPONENTE DA SALDARE_COMPONENTS REQUIRING WELDING

- Realizzare una saldatura di dimensioni adatte a supportare le forze in gioco e con materiale d'apporto idoneo.
- Rinforzare adeguatamente le zone d'attacco all'anta e/o alla struttura / telaio.
- The weld must be adequately sized to support the applied forces and with suitable electrode material.
- Adequately strengthen the areas anchoring the door and/or structure / frame.



FISSARE

COMPONENTE DA FISSARE_COMPONENTS REQUIRING SCREW MOUNTING

- Fissare con tasselli / bulloni di dimensioni adatte a supportare le forze in gioco.
- Rinforzare adeguatamente le zone d'attacco all'anta e/o alla struttura / telaio.
- Mount with adequately sized expansion bolts capable of sustaining the applied forces.
- Adequately strengthen the areas anchoring the door and/or structure / frame.



MURARE

COMPONENTE DA MURARE_COMPONENTS REQUIRING WALLING IN

- V
- Tie / weld to the rods in the armoured concrete structure, protect the threads during casting.
- Ensure that the structure can sustain the applied forces, adequately strengthening the anchor areas.



REGOLABILE

COMPONENTE REGOLABILE_ADJUSTABLE COMPONENT

- Regolazione effettuabile ad accessorio montato.
- The accessory can be adjusted after installation.



CUSCINETTO

CUSCINETTO REGGISPINTA_THRUST BEARING

- Carico assiale max. e manutenzione, vedi pag. 24
- For max axial load and maintenance, see page 24
- Lubricate before installation. Use grease suited to the ambient conditions, avoid grease that tends to dry rapidly.



CUSCINETTO

CUSCINETTO A SFERE BALL BEARING

- Cuscinetto radiale ad una corona di sfere con guarnizioni striscianti (2RS).• Senza manutenzione.
- Single row radial bearing with contact seals (2RS).• Maintenance-free.



CUSCINETTO

CUSCINETTO A SFERE BALL BEARING

- Cuscinetto radiale ad una corona di sfere senza guarnizioni.
- Single row radial bearing without seals.
- Lubricate before installation. Use grease suited to the ambient conditions, avoid grease that tends to dry rapidly.



CUSCINETTO

CUSCINETTO A RULLI ROLLER BEARING

- Cuscinetto radiale-assiale ad una corona di rulli conici, scomponibile.
- Single row tapered radial-axial roller bearings, separable design.
- Lubricate before installation. Use grease suited to the ambient conditions, avoid grease that tends to dry rapidly.



INGRASSATORE

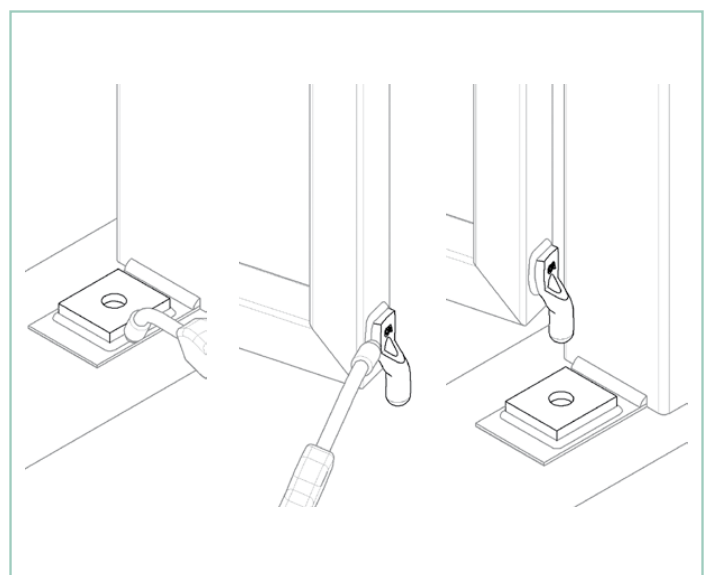
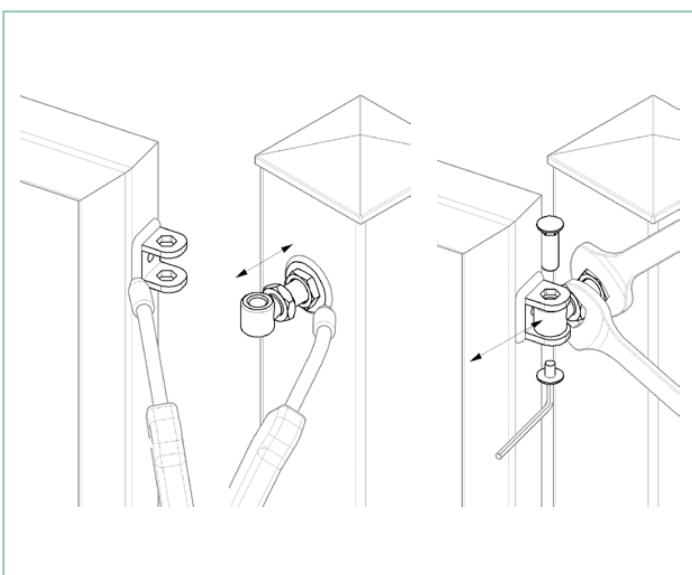
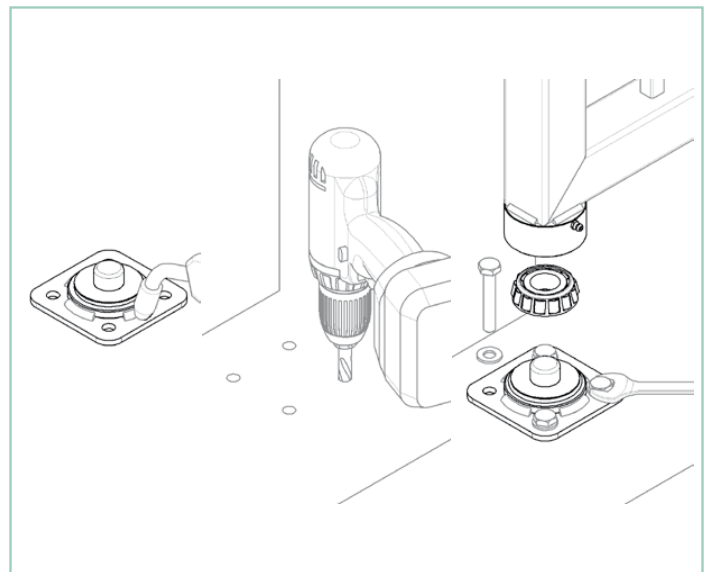
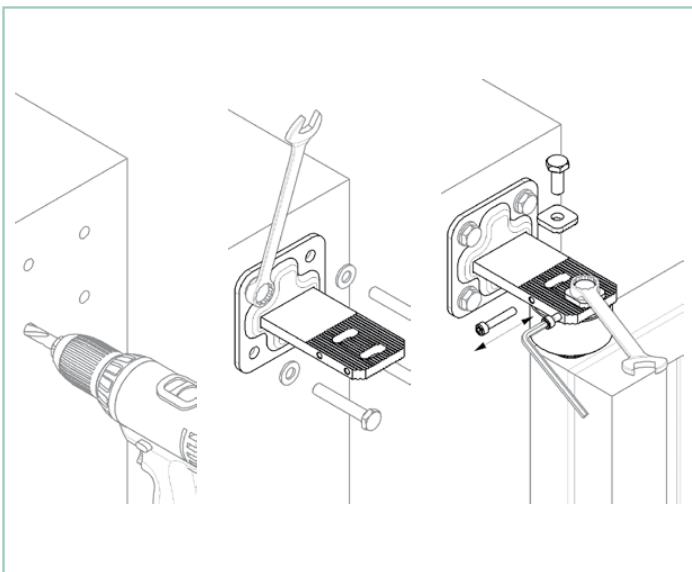
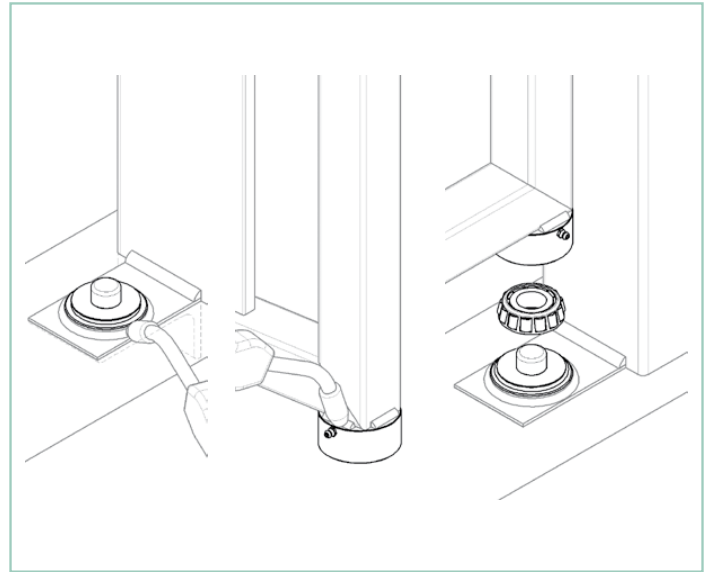
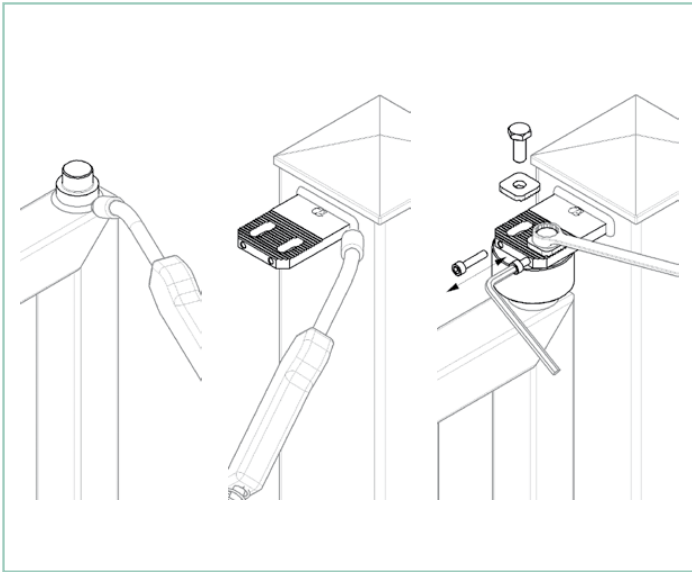
INGRASSATORE_GREASE NIPPLE

- The accessory has an M6 greaser. • Lubrication with accessory installed.

effettuabile ad accessorio montato..



APPLICATIVI
Applications





ACCESSORI CANCELLI BATTENTI
Swing Gates Accessories

APPLICATIVI
Applications

